



Signature Copying Machine

The 16th International Invention and Innovation Show INTARG® 2023

✓ **HAMZEH NAJAFIMEHR**

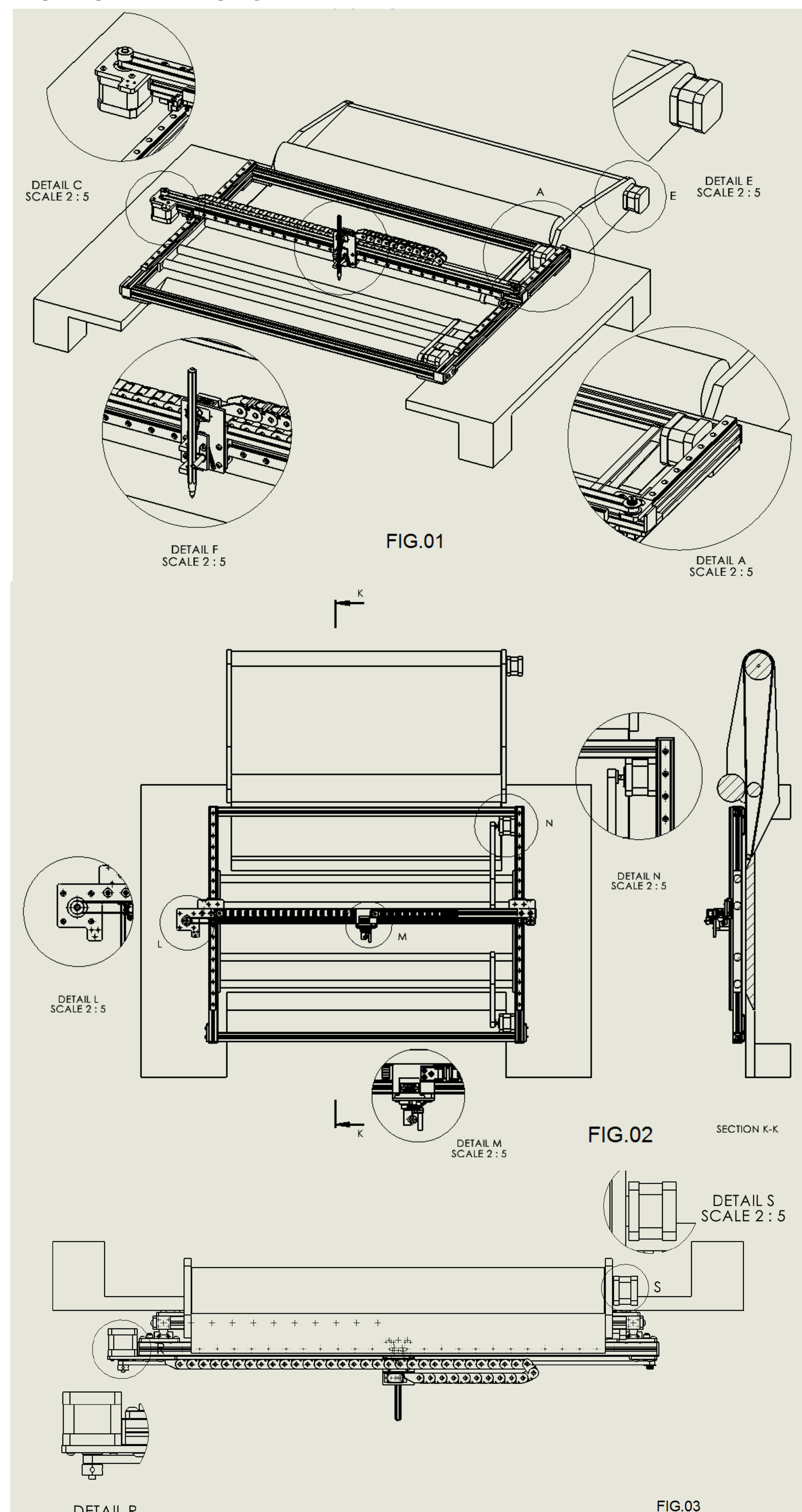


PCT:WO/2023/012775

The signature printer can print the signature automatically after the signature is inserted manually through the touch panel. You need to put the handwriting (signature) into the machine, which copies the signature using a special pen. The device performs this task by copying the signature paths and presses and creating a duplicate edition of the handwriting (signature) onto the paper. These are the abilities of this machine which can duplicate the signature pattern in large numbers. The device passes through the x-axis using stepper motors, the y-axis using stepper motors, and the z-axis using servo motors. Getting people's handwriting (signature) is one of the most typical works done in every notary, school, and office. Therefore, there are many applications for this invention. I dare say that it will be applied in every notary, company, office, or anywhere the copy handwriting (signature) is required. This invention is a good choice for people with physical disabilities and those who cannot sign or create writing.

Advantage effects of the invention:

1. Saving the time of people under the signature copying process.
2. The owner can use it without any time or spatial limitations.
3. Saves time and high costs.
4. It does not require unique expertise; anyone can use it individually.
5. No dangerous or health-threatening substance or device is applied in the invention.
6. Considering the materials used in the invention, the machine holds an ideal life and comes with inexpensive maintenance.
7. The machine works with 220 electricity, and no problem is faced while components and materials are supplied.
8. The handwriting (signature) of the person could be taken with any pen, pencil, or even a marker on any even surface and copied.
9. This tiny and economical machine can copy any handwriting (signature) (even a part of it)
10. Use a unique paper for copying. With the aid of the copying machine, this problem is almost solved, and copying has become too easy.
11. Able to be used in any administrative organization.
12. One of the essential advantages of the signature copying machine is its high speed and flexibility



Email: hamzeh_najafimehr@gmail.com
Phone: +98 912 923 1065